

FLO SPOUT FIBC DISCHARGER

The Flo Spout Discharger design has a unique diamond shaped 60 hopper to discharge the poorest flowing of materials such as those that compact or have high shear properties. Designed to handle a wide range of bag types from single trip, to multi trip outlet spouted, with or without liners.



FLO SPOUT STANDARD FEATURES

- **FORK LIFT OR HOIST LOADED ARRANGEMENTS**
- **LOAD TESTED FIBC RIGGING FRAME**
- **WITH OR WITHOUT DUST CONTROL MEMBRANE AND DUST EXTRACTION PORT**
- **WITH OR WITHOUT VIBRATION FACILITY TO ASSIST MATERIAL DISCHARGE**
- **SIX BLADED KNIFE FOR FLAT BOTTOMED BAGS**
- **OPERATOR ACCESS DOOR FOR UNTYING THE BAG OUTLET SPOUT**
- **WITH OR WITHOUT PATENTED LINER TENSIONING SYSTEM**



FLO SPOUT OPTIONS

- **VOLUMETRIC FEEDERS**
- **BATCH / CONTINUOUS LOSS IN WEIGHT SYSTEMS**
- **LOW HEADROOM ARRANGEMENT -DE-MOUNTABLE FLT LOADING**
- **INTEGRAL 25KG SACK TIP HOPPER**
- **DUST COLLECTOR**
- **HAZARDOUS AREA/ATEX MODELS**
- **IBC OR OCTABIN DISCHARGE ARRANGEMENTS**
- **BAG CLOSURE FLO CHOKE DEVICE**

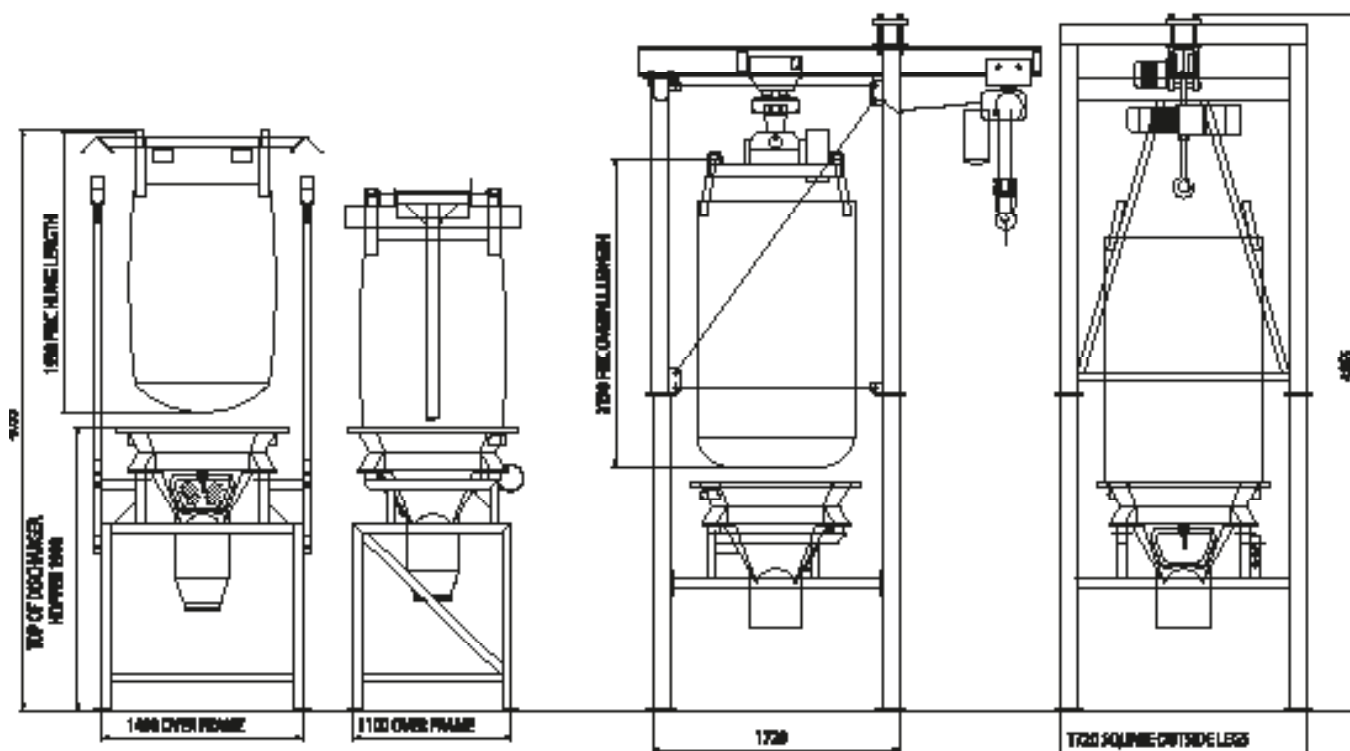
ADVANTAGES

- IDEAL FOR MATERIALS WITH POOR FLOW PROPERTIES
- EASY TO USE, ONE MAN OPERATION
- DUST CONTROL FACILITY OPTION
- DISCHARGES A WIDE VARIETY OF MATERIALS AND BAG DESIGNS
- COMPACT MINIMUM FLOOR SPACE
- EASY / QUICK INSTALLATION
- LOW MAINTENANCE

TECHNICAL SPECIFICATION

FIBC (Big Bag): lined or unlined

Seam height:	To suit application
Base:	Up to 980mm square standard
Loops:	Corner or cross corner
Capacity:	Up to 2000 kg standard
Discharge rate:	Typically up to 10 bags / hour



GET IN TOUCH

T +44 (0)161 477 4775
 F +44 (0)161 474 0257
 E sales@fpegroup.co.uk

WWW.FPEGLOBAL.COM